

ZOLLERN

Solid metals. Fine solutions.

Drive Technology
Rescue boat
winches



The ZOLLERN-Group

With first-class products and customized solutions in the sectors drive technology, investment casting, sand casting and forging as well as steel profiles we are one of the leading manufacturers – worldwide.

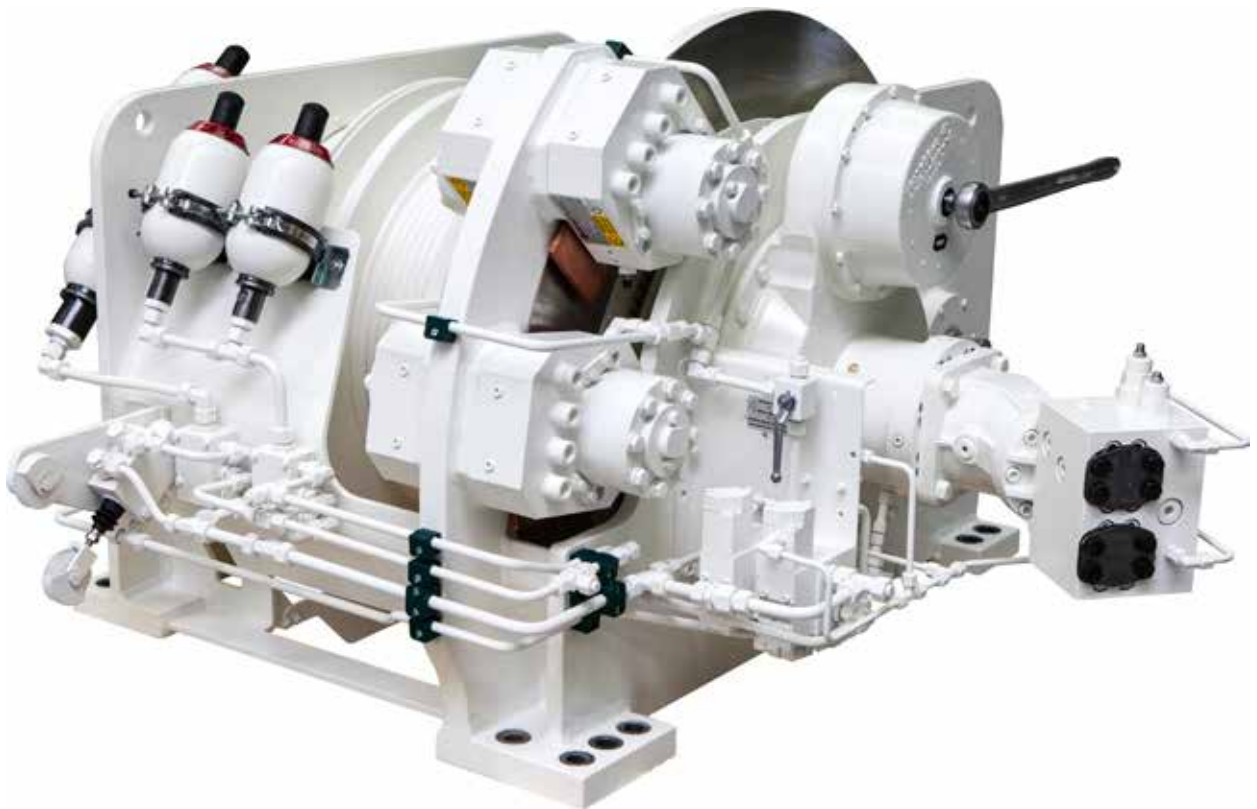
As one of the oldest family-run businesses in Germany we are proud to look back on an impressive 300-year history during which we have merged tradition with innovation. Our main focus is on excellent quality and service.

Welcome to the world of ZOLLERN, where experience and progress go hand in hand to offer our customers the best solutions and products for their requirements in various industrial sectors.

Contents	Page
ZOLLERN rescue boat winches	3
Design features and equipment	4
Technical data	4
Maintenance and inspection of rescue boat winches according to IMO (MSC 96) or SOLAS rules	8
ZOLLERN Group Product areas	10

ZOLLERN rescue boat winches

Compact and reliable



Rescue equipment for ships and offshore facilities also needs to work reliably under harsh application conditions. With the ZR rope winch, we offer a rope winch series designed for use on rescue boats and ships as well as on offshore facilities and that meets demanding requirements.

The ZR rope winch series has four sizes, with rope tension forces of 28 to 105 kN on the rope drum.

It is designed as per the guidelines of SOLAS »Safety of Life at Sea« and certified by renowned classification societies.

Application examples

- Rescue boats and life rafts
- Evacuation systems for offshore facilities
- Tender boat launching systems for yachts
- Free fall boat systems

Design features and equipment

- Very compact design
- Gravity lowering device for uniform lowering of the load without an energy supply
- Remote activation of the gravity lowering device via a co-running line
- Manual operation via a hand crank or ratchet
- Hydraulic lifting and lowering operation

Optional:

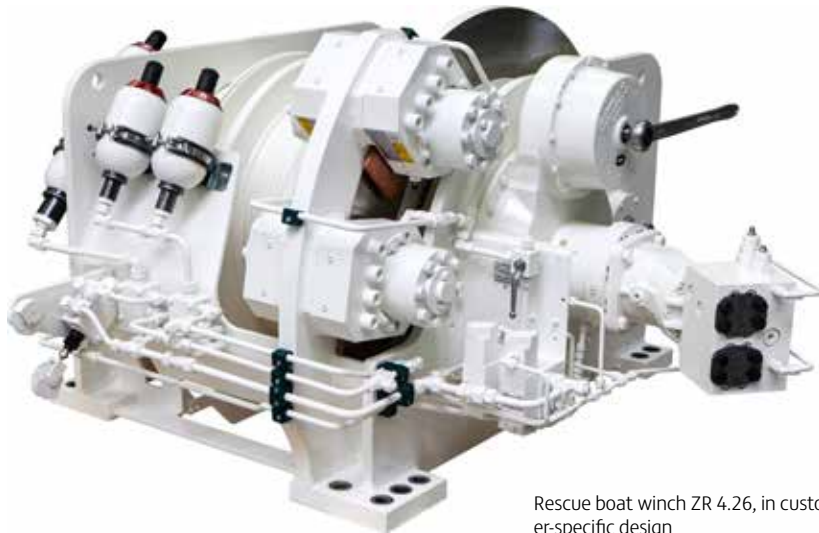
- Constant tension device (for sizes ZR 4.15 and ZR 4.20)
- ATEX approval

Technical data

ZOLLERN Size	Max. rope tension force (N)	Rope diameter (mm)	Usable rope length (m)	Rope speed of gravity lowering process (m/min)	Manual drive possibility	Hydraulic drive
ZR 4.15	28,000	13	38.8	max. 80	2 ratios (With hand crank)	•
ZR 4.20	40,000	18	62.9	max. 80	2 ratios (With hand crank)	•
ZR 4.24	65,000	By customer request	By customer request	max. 80	1 ratio (With ratchet)	•
ZR 4.26	105,000	By customer request	By customer request	max. 80	1 ratio (With ratchet)	•



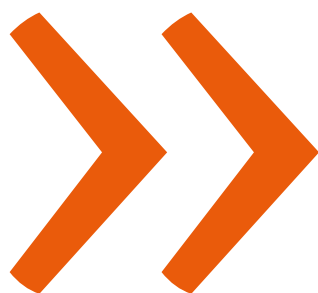
Standard rescue boat winch ZR 4.15



Rescue boat winch ZR 4.26, in custom-specific design

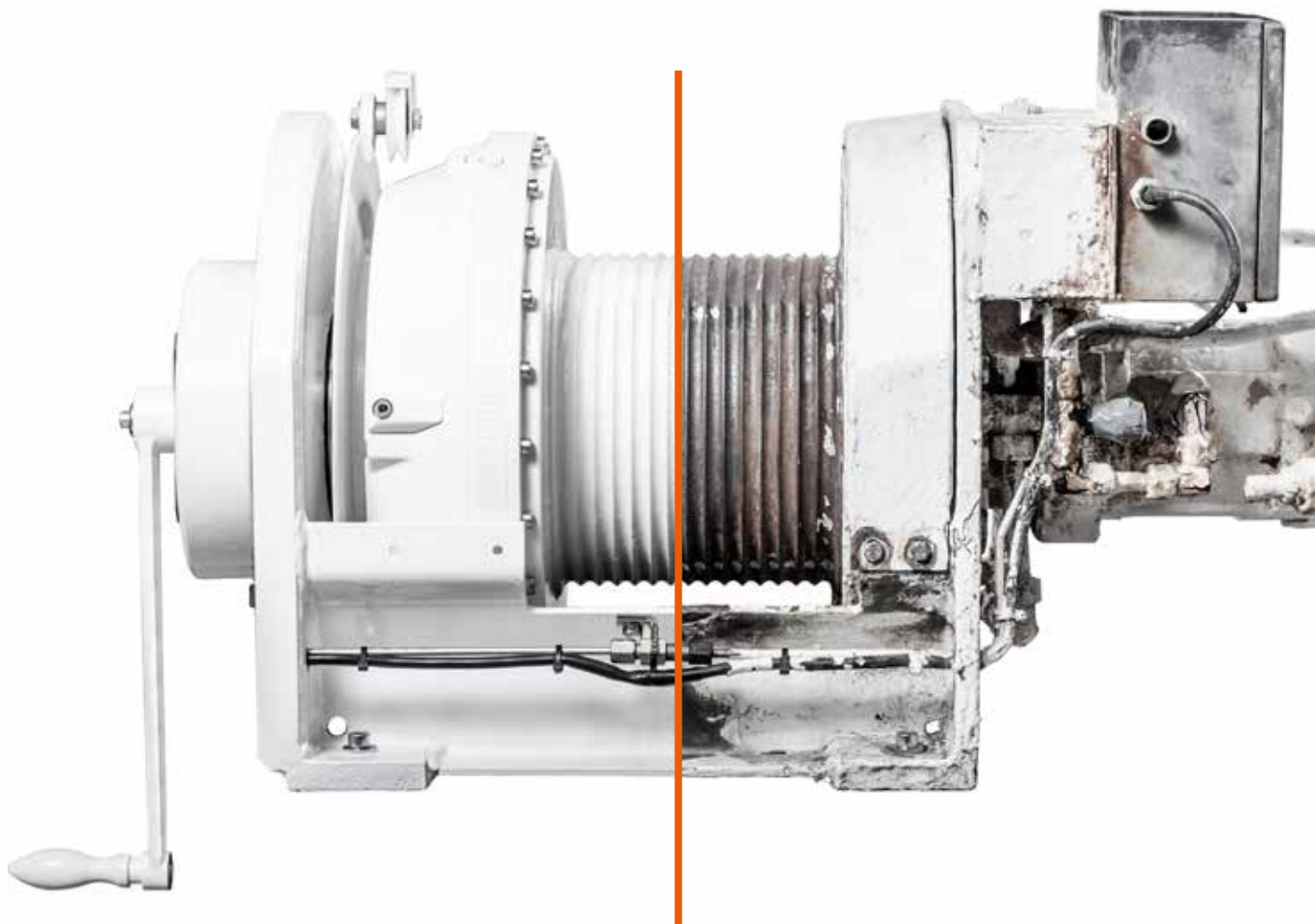
Gravity lowering device	Acceptance as per SOLAS	Acceptance as per MED	Constant tension device	ATEX approval	Mass without motor (kg)	ZOLLERN Size
•	•	•	on request	on request	240	ZR 4.15
•	•	•	on request	on request	480	ZR 4.20
•	•	•	–	on request	1,250	ZR 4.24
•	•	•	–	on request	2,100	ZR 4.26





ZOLLERN offers comprehensive service from the first product idea to the after sales service. <<

Maintenance and Inspection of rescue boat winches according to IMO (MSC 96) or SOLAS rules



Overhaul and repair of a ZOLLERN
rescue boat winch



Five-year inspection

During the five-year inspection according to the SOLAS rules III/3 and III/20, ZOLLERN or one of our authorised service partners offers overhauls and repairs, including a dynamic brake test of the winches. The inspections can be performed on site on land. During this inspection, brake discs and stressed parts that transmit forces must be replaced.

Ten-year inspection:

After 10 years, a complete overhaul (second life) of the winch is mandatory at ZOLLERN on site. During this general overhaul, we also offer a re-certification by a classification society as well as a new warranty.

Customer Service

ZOLLERN offers comprehensive service from the first product idea to the after sales service.

- Development partnership
- Technical and application-specific consultation
- Individual order processing, including scheduling agreements
- Comprehensive test run and test equipment (including load test)
- Intensive cooperation with classification societies

After Sales Service

Maintenance and repairs are performed in the ZOLLERN Service Centre. The global service deployments and spare parts deliveries are coordinated from here.

- Commissioning on site
- Quick spare parts deliveries with original spare parts
- Technical findings with repair report
- Error analyses, repairs and assembly work worldwide
- Retrofitting, revision and repair
- Maintenance service
- ZOLLERN training centre
- Diagnostics and condition monitoring
- Service Hotline

ZOLLERN Group

Product areas

Metals and shaping

// Investment casting parts



- Turbine components
 - Vanes / Blades / Shrouds / Heat Shields
- Structural Castings
 - Gas Turbines / Aero / Engines Defense / Medical / Industrial Components
- Automotive
 - Turbine Wheels / Waste gates / Vanes / Pins / Planet carriers
- Implants
 - Knees (Femur, Tibia) / Hipps
- Alloys
 - Super alloys / Cobalt Chrome alloys

// Sand casting parts



- Sand casting
- Croningguss / Maskenguss
- Ceramic casting
- Continuous casting
- Centrifugal casting

// Forgings



- Forgings made of pure copper and copper alloys
- Semi-finished products, open die forged, flat bars, round bar
- Drop forged parts
- Rings, seamlessly rolled
- Bushings, seamlessly forged
- Individual pieces, small series, large series

// Special profiles and finished parts



- Special profiles, coils, bars
- Customer-specific finished parts
- Profile types hot-rolled, cold-rolled, cold-drawn, induction-hardened

Drive technology and automation

// Gearboxes



- Travel drives
- Slewing gearboxes
- Winch gearboxes
- Industrial gear units
- Gearboxes for tunnel boring machines
- Sugar mill gearboxes
- Electric drive systems
- Condition Monitoring and Predictive Maintenance

// Winches



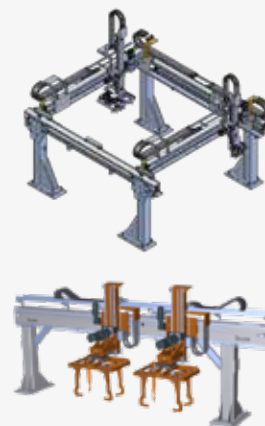
- Hoisting winches
- Free fall winches
- Pull winches
- Rescue boat winches
- Winch systems
- Winch gearboxes

// Electric motors



- Torque motors kits
- Synchronous motor kits
- Synchronous motor modules

// Automation, special systems



- Linear units, linear modules, gantry axes, portal units
- Telescoping axes
- Rotary modules, rotary tables
- Line gantries, area gantries
- Robot traverse axes, jig axes
- Storey lifter and lifting columns
- Fast conveyor
- Framing tenter handling / overhead systems
- Storage systems
- Complete systems with steel construction and control
- Special solutions
- Gripper

// Hydrostatic systems



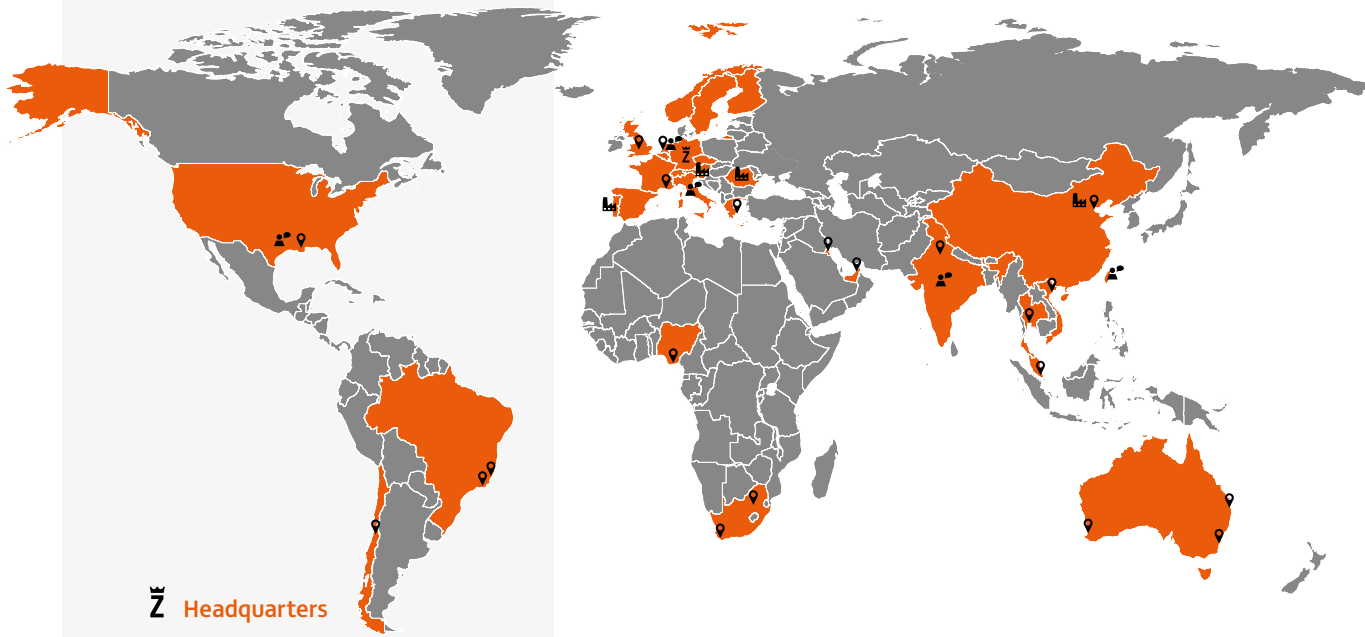
- Hydrostatic spindle units
- Hydrostatic rotary tables
- Aerostatic rotary tables
- Hydrostatic linear guides
- Hydrostatic center drive spindles
- Hydrostatic bearing components
- Hydrostatic special applications and test benches

// Rotary tables systems



- Roller bearing rotary tables
- Hydrostatic rotary tables
- Automatic pallet changing systems and linear axes
- Swiveling tables
- After sales service for products of ZOLLERN, Rückle and Eimeldingen

ZOLLERN



Headquarters

Subsidiaries

Italy and southern Europe
Netherlands and Northern Europe
USA
India and Southeast Asia
Taiwan, China

Factories

Germany
Portugal
Romania
Slovenia
China

Service partner

Australia
Brazil
Chile
Greece
Great Britain
Kuwait
Singapore
South Africa
Thailand
Dubai
USA
Vietnam



ZOLLERN-worldwide



ZOLLERN-Products

ZOLLERN GmbH & Co. KG

Heustraße 1
88518 Herbertingen
Germany
T +49 7586 959-0
F +49 7586 959-575
zgw@zollern.com
www.zollern.com

